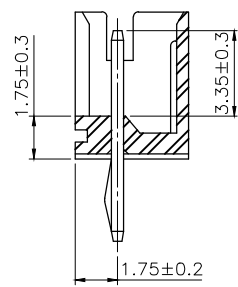
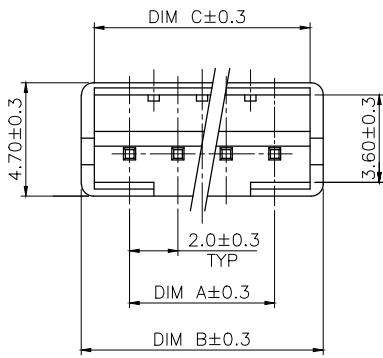
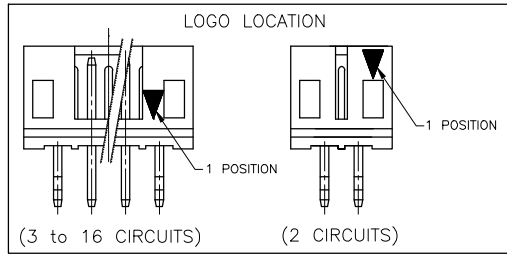


THIS DRAWING IS UNPUBLISHED. RELEASED FOR PUBLICATION AUG. 2006. COPYRIGHT 2009 BY TYCO ELECTRONICS CORPORATION. ALL RIGHTS RESERVED.

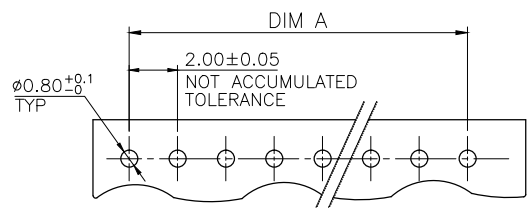
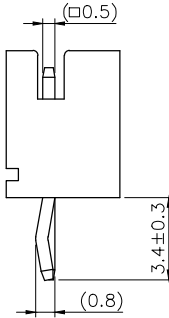
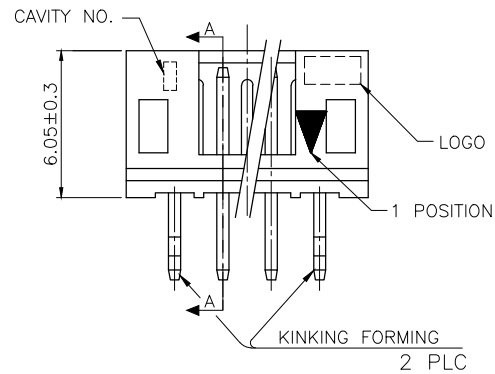
LOC		DIST		REVISIONS			DATE	DWN	APVD
DW		P	LTR	DESCRIPTION					
		E2		REVISED (ECR-14-012834), PART OBSOLETE			08DEC14	S.C	H.L



SEC. A-A



- NOTES:
 1. MATERIAL:
 HOUSING: NYLON 66, UL94V-0, COLOR: SEE TABLE.
 CONTACT: BRASS, THICKNESS=0.50mm.
 2. FINISH:
 2.03um[80u"] MIN. BRIGHT-TIN PLATING ON CONTACT.
 1.27um[50u"] MIN. NICKEL ENTIRE CONTACT UNDERPLATED.
 3. WAVE SOLDER CAPABLE TO 265°C PER TEST SPEC.
 109-202, CONDITION B.
 4. RAISED TYPE PN: 9-440054-2



RECOMMENDED PCB LAYOUT (PCB THK=1.0~1.6)

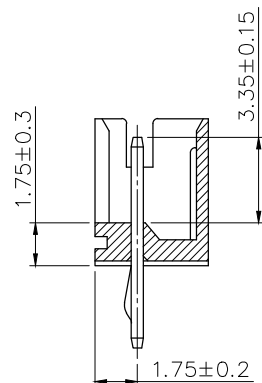
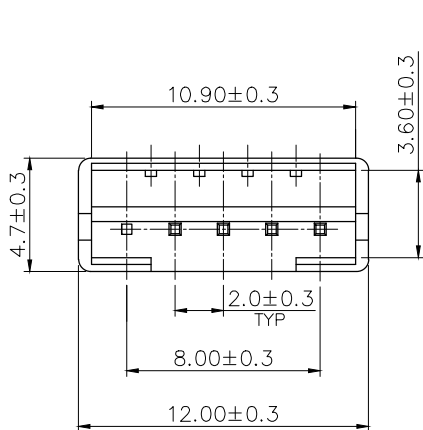
PACKAGE	COLOR	DIM C	DIM B	DIM A	POS	PART NUMBER
OBSOLETE	RED	10.90	12.00	8.00	5P	8-440054-9
OBSOLETE	RED	8.90	10.00	6.00	4P	8-440054-8
OBSOLETE	RED	6.90	8.00	4.00	3P	8-440054-7
OBSOLETE	RED	4.90	6.00	2.00	2P	8-440054-6
OBSOLETE	BLACK	10.90	12.00	8.00	5P	6-440054-9
OBSOLETE	BLACK	8.90	10.00	6.00	4P	6-440054-8
OBSOLETE	BLACK	6.90	8.00	4.00	3P	6-440054-7
OBSOLETE	BLACK	4.90	6.00	2.00	2P	6-440054-6
OBSOLETE	YELLOW	10.90	12.00	8.00	5P	4-440054-9
OBSOLETE	YELLOW	8.90	10.00	6.00	4P	4-440054-8
OBSOLETE	YELLOW	6.90	8.00	4.00	3P	4-440054-7
OBSOLETE	YELLOW	4.90	6.00	2.00	2P	4-440054-6
OBSOLETE	BLUE	10.90	12.00	8.00	5P	2-440054-9
OBSOLETE	BLUE	8.90	10.00	6.00	4P	2-440054-8
OBSOLETE	BLUE	6.90	8.00	4.00	3P	2-440054-7
OBSOLETE	BLUE	4.90	6.00	2.00	2P	2-440054-6
OBSOLETE	NATURAL WHITE	32.90	34.00	30.00	16P	5-440054-6
OBSOLETE	NATURAL WHITE	30.90	32.00	28.00	15P	5-440054-5
OBSOLETE	NATURAL WHITE	28.90	30.00	26.00	14P	5-440054-4
OBSOLETE	NATURAL WHITE	26.90	28.00	24.00	13P	5-440054-3
OBSOLETE	NATURAL WHITE	24.90	26.00	22.00	12P	5-440054-2
OBSOLETE	NATURAL WHITE	22.90	24.00	20.00	11P	5-440054-1
OBSOLETE	NATURAL WHITE	20.90	22.00	18.00	10P	5-440054-0
OBSOLETE	NATURAL WHITE	18.90	20.00	16.00	9P	3-440054-9
OBSOLETE	NATURAL WHITE	16.90	18.00	14.00	8P	3-440054-8
OBSOLETE	NATURAL WHITE	14.90	16.00	12.00	7P	3-440054-7
OBSOLETE	NATURAL WHITE	12.90	14.00	10.00	6P	3-440054-6
OBSOLETE	NATURAL WHITE	10.90	12.00	8.00	5P	3-440054-5
OBSOLETE	NATURAL WHITE	8.90	10.00	6.00	4P	3-440054-4
OBSOLETE	NATURAL WHITE	6.90	8.00	4.00	3P	3-440054-3
OBSOLETE	NATURAL WHITE	4.90	6.00	2.00	2P	3-440054-2

PACKAGE	COLOR	DIM C	DIM B	DIM A	POS	PART NUMBER
OBSOLETE	RED	10.90	12.00	8.00	5P	8-440054-5
		8.90	10.00	6.00	4P	8-440054-4
		6.90	8.00	4.00	3P	8-440054-3
		4.90	6.00	2.00	2P	8-440054-2
	BLACK	10.90	12.00	8.00	5P	6-440054-5
		8.90	10.00	6.00	4P	6-440054-4
		6.90	8.00	4.00	3P	6-440054-3
		4.90	6.00	2.00	2P	6-440054-2
	YELLOW	10.90	12.00	8.00	5P	7-440054-4
		8.90	10.00	6.00	4P	7-440054-3
		6.90	8.00	4.00	3P	7-440054-2
		4.90	6.00	2.00	2P	7-440054-1
BLUE	10.90	12.00	8.00	5P	4-440054-5	
	8.90	10.00	6.00	4P	4-440054-4	
	6.90	8.00	4.00	3P	4-440054-3	
	4.90	6.00	2.00	2P	4-440054-2	
NATURAL WHITE	10.90	12.00	8.00	5P	1-440054-4	
	8.90	10.00	6.00	4P	1-440054-3	
	6.90	8.00	4.00	3P	1-440054-2	
	4.90	6.00	2.00	2P	1-440054-1	
POLY BAG	RED	32.90	34.00	30.00	16P	5-440054-6
		30.90	32.00	28.00	15P	1-440054-5
		28.90	30.00	26.00	14P	1-440054-4
		26.90	28.00	24.00	13P	1-440054-3
POLY BAG	BLACK	24.90	26.00	22.00	12P	1-440054-2
		22.90	24.00	20.00	11P	1-440054-1
		20.90	22.00	18.00	10P	1-440054-0
		18.90	20.00	16.00	9P	440054-9
POLY BAG	YELLOW	16.90	18.00	14.00	8P	440054-8
		14.90	16.00	12.00	7P	440054-7
		12.90	14.00	10.00	6P	440054-6
		10.90	12.00	8.00	5P	440054-5
POLY BAG	BLUE	8.90	10.00	6.00	4P	440054-4
		6.90	8.00	4.00	3P	440054-3
		4.90	6.00	2.00	2P	440054-2
		2.90	4.00	2.00	1P	440054-1

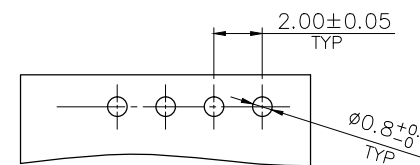
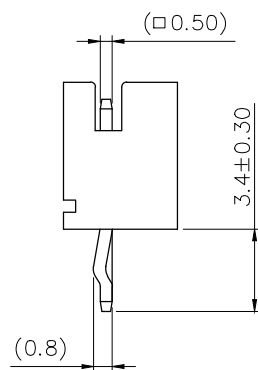
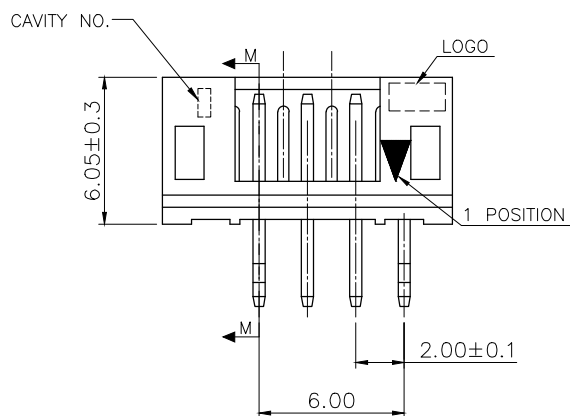
THIS DRAWING IS A CONTROLLED DOCUMENT.		DWN O. HU 16JUL2004	 TE Connectivity				
DIMENSIONS: MM		CHK S. HOU 16JUL2004			NAME		
TOLERANCES UNLESS OTHERWISE SPECIFIED:		APVD W.J. KE 16JUL2004			2.0 MM PITCH HPI VERTICAL POST HEADERS		
0 PLC ± - 1 PLC ± 0.3 2 PLC ± 0.2 3 PLC ± 0.15 4 PLC ± - ANGLES ± 3'		PRODUCT SPEC 108-57100			RESTRICTED TO		
MATERIAL SEE NOTE	FINISH SEE NOTE	WEIGHT GRAMS	SIZE A3	CAGE CODE 00779	DRAWING NO C-440054	SHEET 1 of 5	REV E2

THIS DRAWING IS UNPUBLISHED. RELEASED FOR PUBLICATION AUG. 2006.
 © COPYRIGHT 2009 BY TYCO ELECTRONICS CORPORATION. ALL RIGHTS RESERVED.

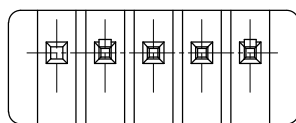
LOC DW	DIST	REVISIONS		
P	LTR	DESCRIPTION	DATE	DWN APVD
		SEE SHEET 1.		



SECTION M-M



RECOMMENDER PCB LAYOUT
 (PCB THK=1.0~1.6mm)



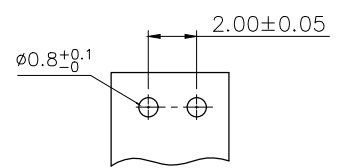
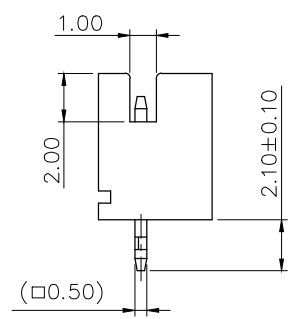
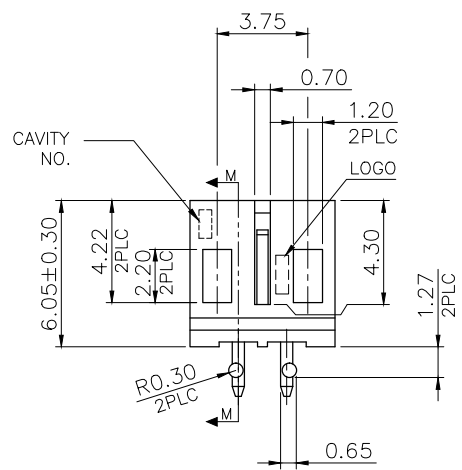
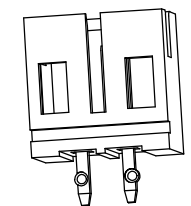
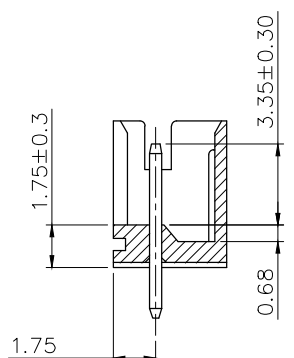
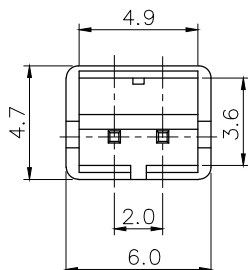
POLY BAG	NATURAL WHITE	PIN 5	4P	9-440054-5
PACKAGE	COLOR	PIN NUMBER LACKED	POS.	PART NUMBER

THIS DRAWING IS A CONTROLLED DOCUMENT.		DWN	TE Connectivity		
DIMENSIONS: MM		CHK			
TOLERANCES UNLESS OTHERWISE SPECIFIED:		APVD	2.0 MM PITCH HPI VERTICAL POST HEADERS		
0 PLC ± -		PRODUCT SPEC	SIZE		
1 PLC ± 0.3		APPLICATION SPEC	CAGE CODE		
2 PLC ± 0.2		WEIGHT	DRAWING NO		
3 PLC ± 0.15		CUSTOMER DRAWING	RESTRICTED TO		
4 PLC ± -			A3 00779 C-440054		
ANGLES ± 3'			SCALE		
MATERIAL	FINISH		SHEET 2 of 5		
SEE NOTE (PAGE 1.)	SEE NOTE (PAGE 1.)		REV E2		

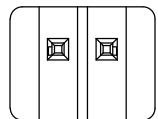
LOC DW DIST

REVISIONS

P	LTR	DESCRIPTION	DATE	DWN	APVD
		SEE SHEET 1.			



RECOMMENDED PCB LAYOUT (PCB THK=1.0MM~1.6MM)



POLY BAG	NATURAL WHITE	2P	9-440054-2
PACKAGE	COLOR	POS.	PART NUMBER

THIS DRAWING IS A CONTROLLED DOCUMENT.		DWN	STE TE Connectivity	
DIMENSIONS: MM		CHK		
TOLERANCES UNLESS OTHERWISE SPECIFIED:		APVD	NAME	
0 PLC ± -		PRODUCT SPEC	2.0 MM PITCH HPI VERTICAL POST HEADERS	
1 PLC ± 0.3		APPLICATION SPEC	SIZE	CAGE CODE
2 PLC ± 0.2		WEIGHT	A3	00779
3 PLC ± 0.15		CUSTOMER DRAWING	DRAWING NO	C-440054
4 PLC ± -		SCALE	RESTRICTED TO	
ANGLES ± 3'		SHEET	3 of 5	
MATERIAL	FINISH	REV	E2	
SEE NOTE (PAGE 1.)	SEE NOTE (PAGE 1.)			

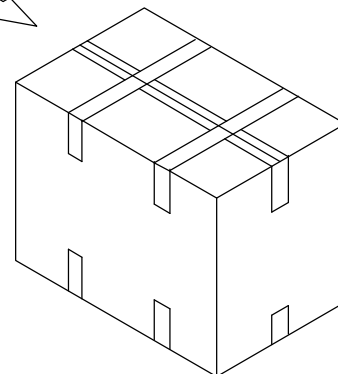
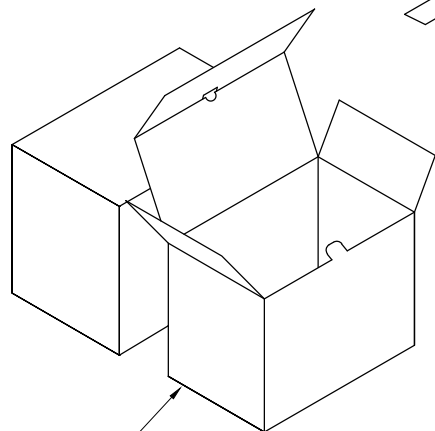
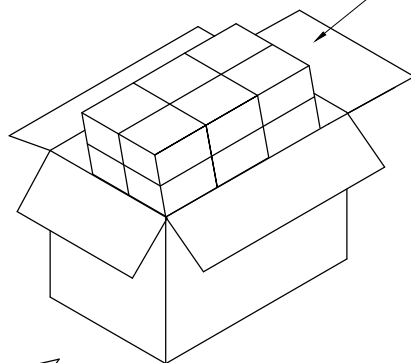
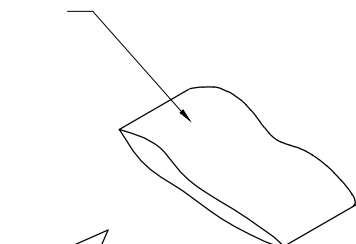
P	LTR	DESCRIPTION	DATE	DWN	APVD
		SEE SHEET 1.			

POLY BAG

CARTON

340mm(L)X 470mm(W)X 178mm(H)
(FOR HEADER 2P~5P ONLY)

340mm(L)X 470mm(W)X 365mm(H)
(FOR HEADER 6P~16P ONLY)



INEER BOX

320mm(L)X 220mm(W)X 155mm(H)

17,600	550	4P	9-440054-5
40,000	1,000	2P	9-440054-2
17,600	550	5P	8-440054-5
20,800	650	4P	8-440054-4
27,000	750	3P	8-440054-3
40,000	1,000	2P	8-440054-2
17,600	550	5P	6-440054-5
20,800	650	4P	6-440054-4
27,000	750	3P	6-440054-3
40,000	1,000	2P	6-440054-2
16,000	250	12P	7-440054-6
18,000	250	11P	7-440054-5
19,200	300	10P	7-440054-4
22,400	350	9P	7-440054-3
22,400	350	8P	7-440054-2
25,600	400	7P	7-440054-1
28,800	450	6P	7-440054-0
17,600	550	5P	4-440054-5
20,800	650	4P	4-440054-4
27,000	750	3P	4-440054-3
40,000	1,000	2P	4-440054-2
17,600	550	5P	2-440054-5
20,800	650	4P	2-440054-4
27,000	750	3P	2-440054-3
40,000	1,000	2P	2-440054-2
12,000	200	16P	1-440054-6
12,000	200	15P	1-440054-5
12,800	200	14P	1-440054-4
15,000	250	13P	1-440054-3
16,000	250	12P	1-440054-2
18,000	250	11P	1-440054-1
19,200	300	10P	1-440054-0
22,400	350	9P	440054-9
22,400	350	8P	440054-8
25,600	400	7P	440054-7
28,800	450	6P	440054-6
17,600	550	5P	440054-5
20,800	650	4P	440054-4
27,000	750	3P	440054-3
40,000	1,000	2P	440054-2
APQ	PPQ		
(PCS/CARTON)	(PCS/BAG)	POS.	PART NUMBER

THIS DRAWING IS A CONTROLLED DOCUMENT.

STE TE Connectivity

NAME: 2.0 MM PITCH HPI VERTICAL POST HEADERS

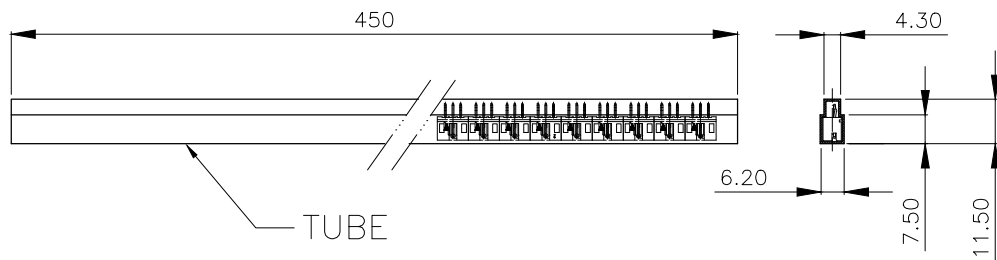
SIZE: A3 CAGE CODE: 00779 DRAWING NO: C-440054 RESTRICTED TO: -

MATERIAL: - FINISH: - WEIGHT: -

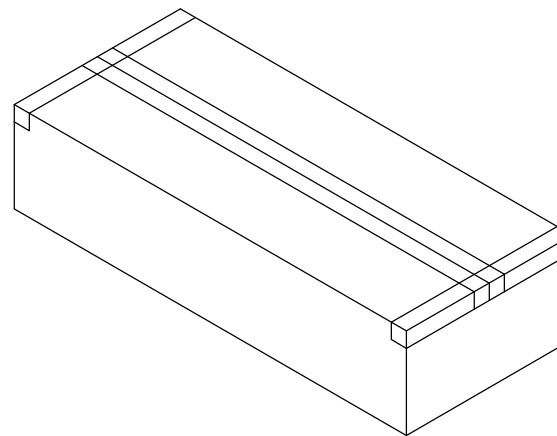
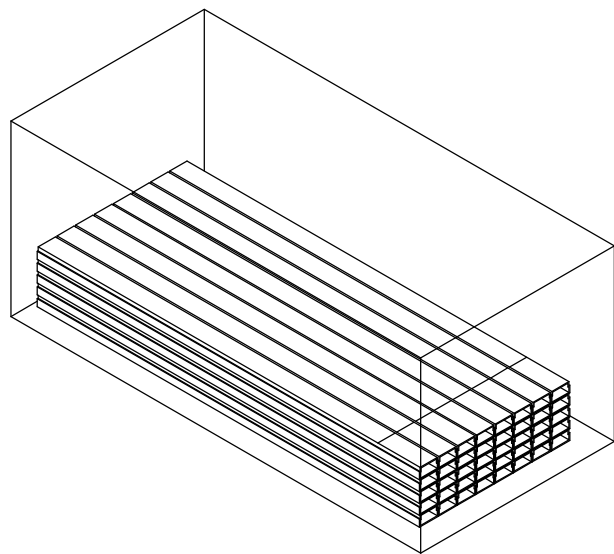
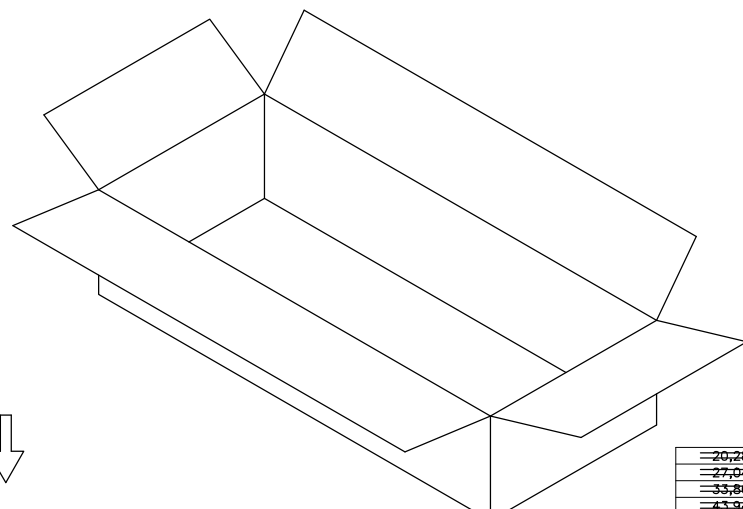
CUSTOMER DRAWING SCALE: - SHEET: 4 of 5 REV: E2

DIMENSIONS:	TOLERANCES UNLESS OTHERWISE SPECIFIED:
MM	
	0 PLC ± -
	1 PLC ± -
	2 PLC ± -
	3 PLC ± -
	4 PLC ± -
	ANGLES ± -

LOC	DIST	REVISIONS					
DW		P	LTR	DESCRIPTION	DATE	DWN	APVD
				SEE SHEET 1.			



CARTON
470 mm(L)X 340mm(W)X 178mm(H)



20,280	30	5P	8-440054-9
27,040	40	4P	8-440054-8
33,800	50	3P	8-440054-7
43,940	65	2P	8-440054-6
20,280	30	5P	6-440054-9
27,040	40	4P	6-440054-8
33,800	50	3P	6-440054-7
43,940	65	2P	6-440054-6
20,280	30	5P	4-440054-9
27,040	40	4P	4-440054-8
33,800	50	3P	4-440054-7
43,940	65	2P	4-440054-6
20,280	30	5P	2-440054-9
27,040	40	4P	2-440054-8
33,800	50	3P	2-440054-7
43,940	65	2P	2-440054-6
6,760	10	16P	5-440054-6
8,112	12	15P	5-440054-5
8,112	12	14P	5-440054-4
8,788	13	13P	5-440054-3
10,140	15	12P	5-440054-2
10,816	16	11P	5-440054-1
12,168	18	10P	5-440054-0
13,520	20	9P	3-440054-9
14,872	22	8P	3-440054-8
16,900	25	7P	3-440054-7
18,928	28	6P	3-440054-6
20,280	30	5P	3-440054-5
27,040	40	4P	3-440054-4
33,800	50	3P	3-440054-3
43,940	65	2P	3-440054-2
APQ	PPQ	POS.	PART NUMBER
(PCS/CARTON)	(PCS/TUBE)		

THIS DRAWING IS A CONTROLLED DOCUMENT.

STE TE Connectivity

NAME: 2.0 MM PITCH HPI VERTICAL POST HEADERS

SIZE: A3 CAGE CODE: 00779 DRAWING NO: C-440054 RESTRICTED TO: -

MATERIAL: - FINISH: - WEIGHT: -

CUSTOMER DRAWING SCALE: - SHEET: 5 of 5 REV: E2

DIMENSIONS: MM	TOLERANCES UNLESS OTHERWISE SPECIFIED:
	0 PLC ± -
	1 PLC ± -
	2 PLC ± -
	3 PLC ± -
	4 PLC ± -
	ANGLES ± -